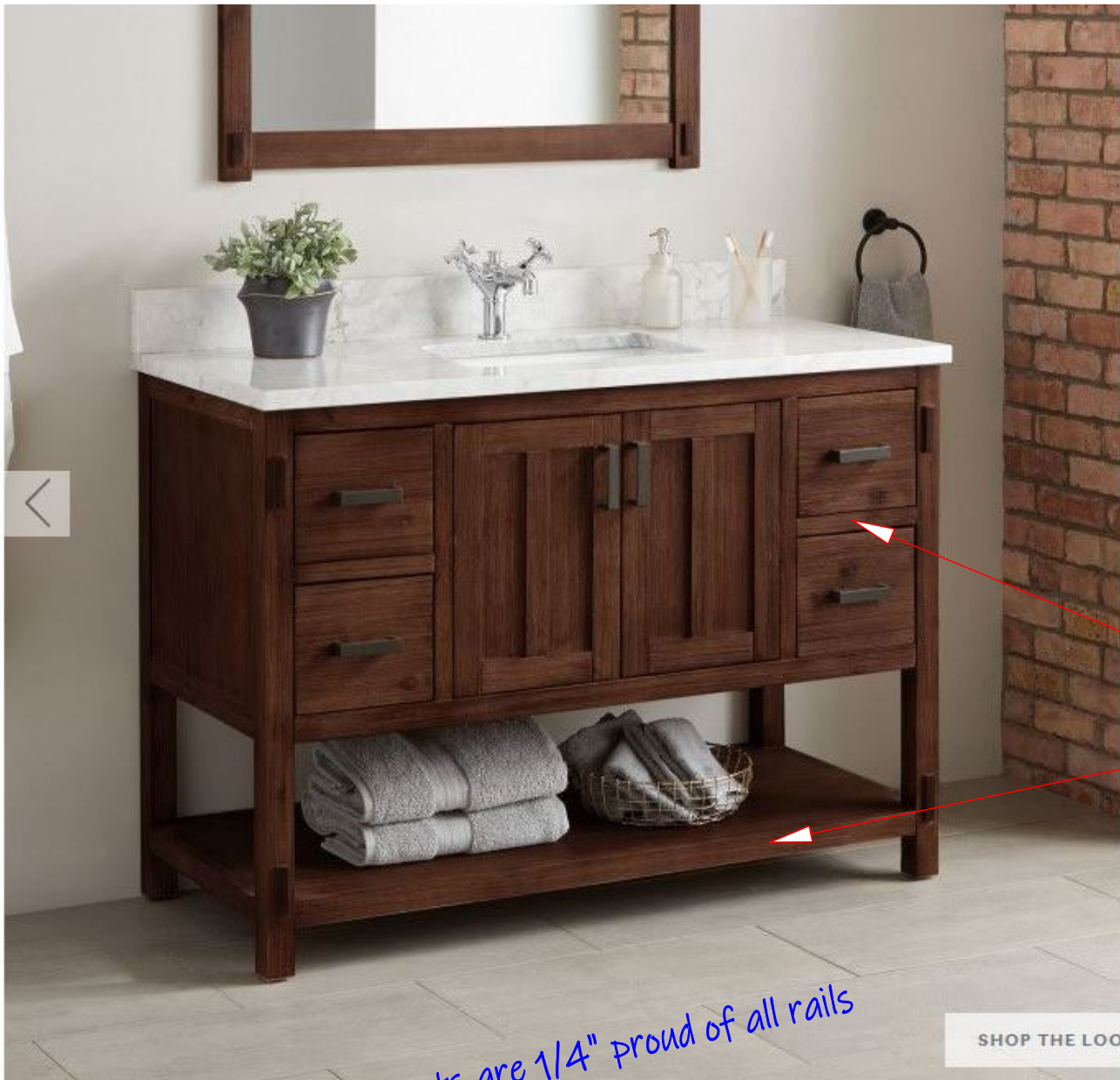


Morris Console Vanity
Design Notes



Corner posts are 1/4" proud of all rails

SHOP THE LOOK ▶

Face frame construction
Applied doors on ends (gables)
Rift cut white oak
solid bottom shelf
Baltic birch drawer boxes
5 pc drawer construction
Shaker doors w/ center mullion
1 3/4" corner posts/legs
Blum undermount drawer hardware (563#)
Oil rubbed bronze pulls on doors and drawers
49" X 36" X 21 1/4" (Over all incl. top)
48" X 35 1/4" X 20 3/4" case dimensions
Flush Inset doors and drawer faces
Toe space clearance - 3"
Net Height of case 20 3/4"
Face frame stuff
Top rail 1 1/2"
Mid Rail 1 1/2"
"Bottom Rail" 1 1/2"
Short rails and mullions 1 1/4"
Applied door stuff (gable ends)
Stiles 1 3/4"
Top Rail 1 1/2" X 1 1/2"
Mid Rail 1 1/2" X 1 1/2"
Bottom Rail 1 1/2" X 1 1/2"
Top panel 1/4" Rift Cut White Oak
No mid panel or bottom panel



Craftsman Woodworks
Engineering Services

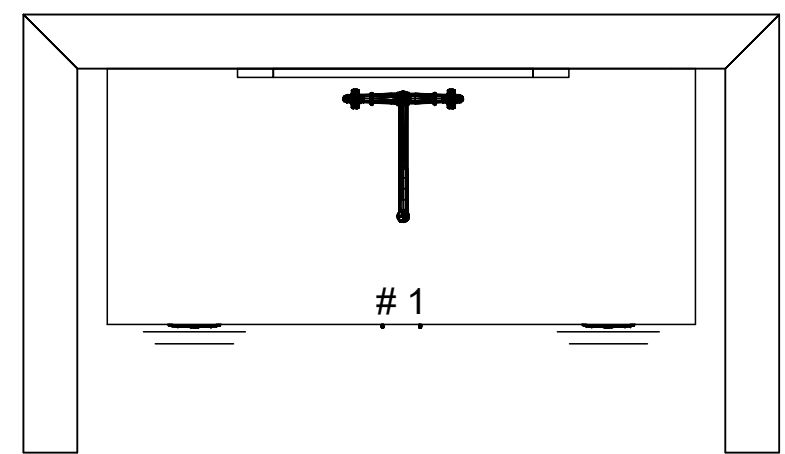
Fair Oaks, CA 95628

202112 Morris Console Vanity
12/30/21

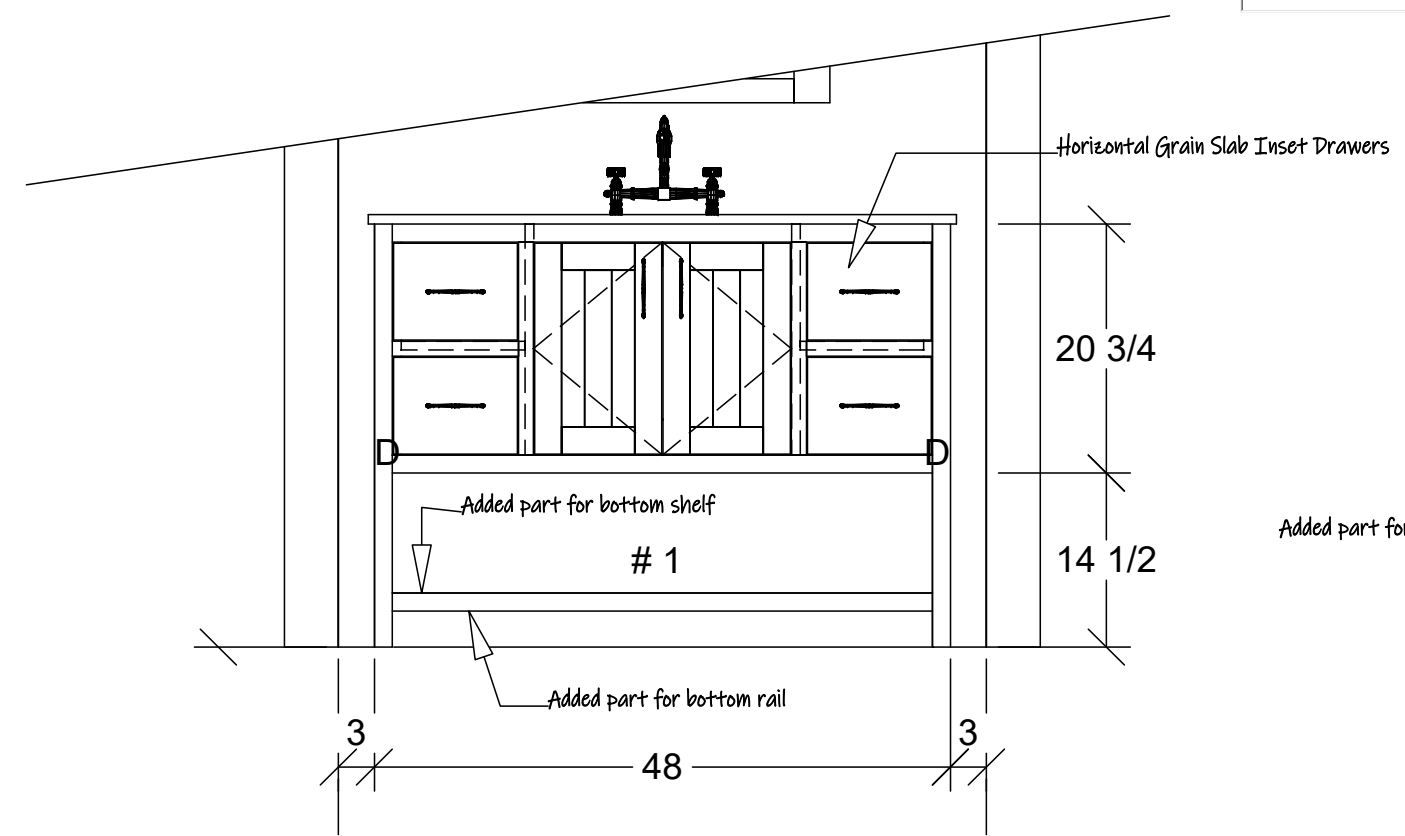


Craftsman Woodworks
Engineering Services

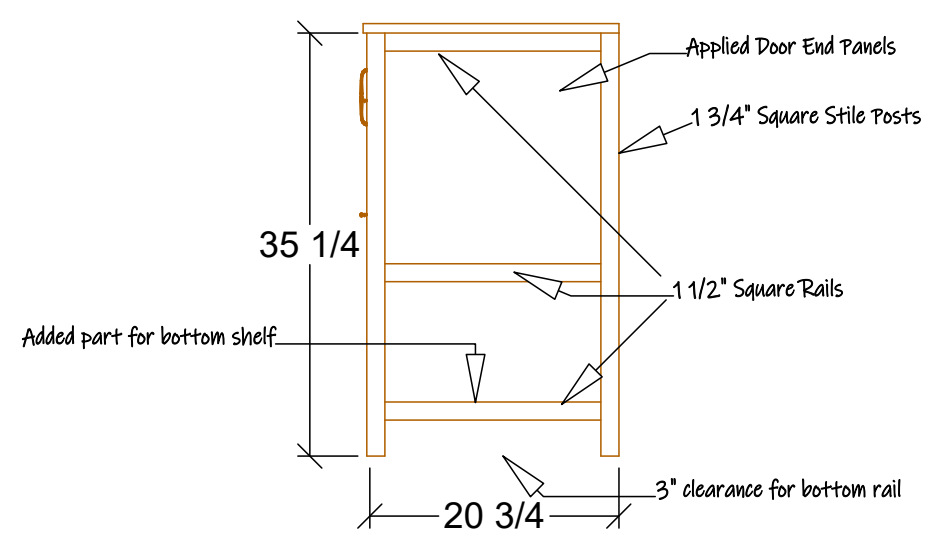
Fair Oaks, CA 95628



① Master Bath Plan
Scale: 3/4" = 1'



② Elevation
Scale: 3/4" = 1'



③ End View
Scale: 3/4" = 1'

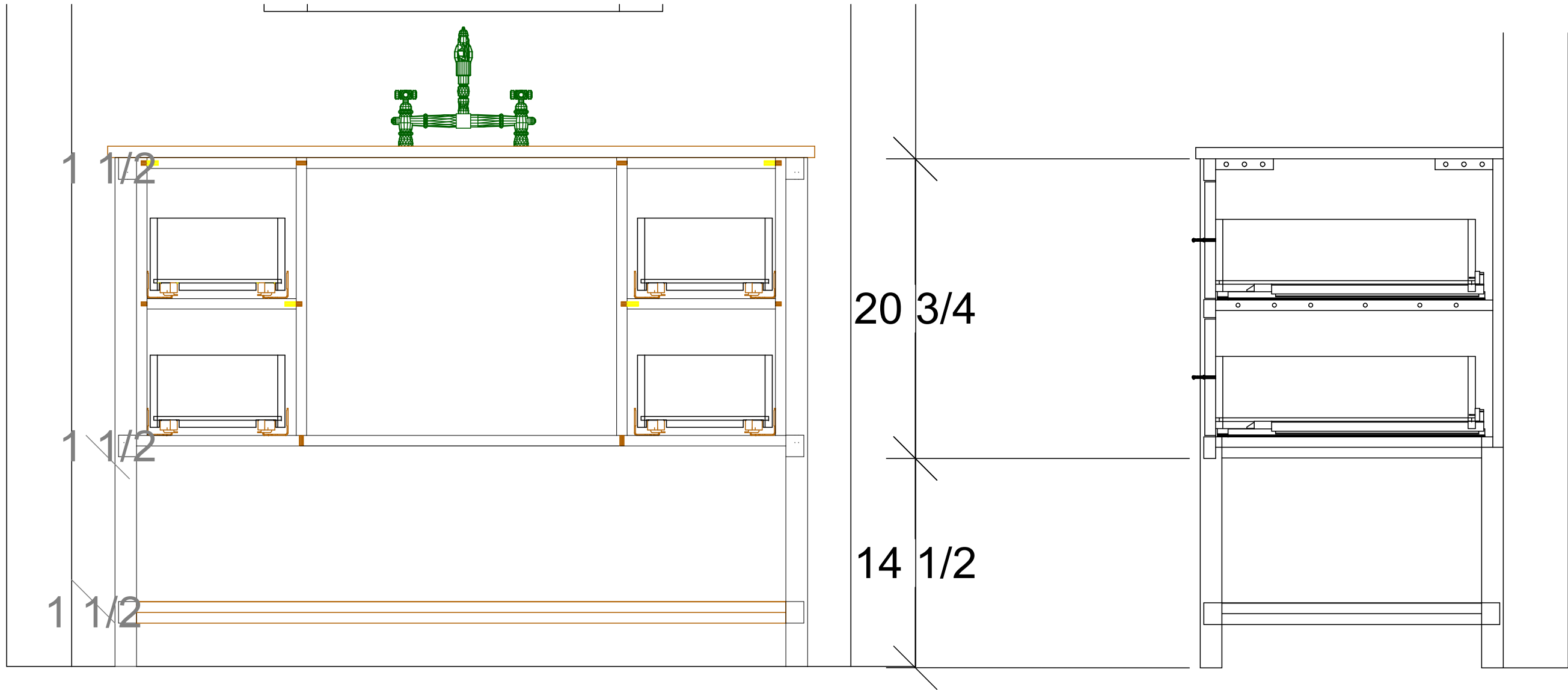
202112 Morris Console Vanity

12/30/21



Craftsman Woodworks
Engineering Services

Fair Oaks, CA 95628



A Section
3 Scale: 1 1/2" = 1'

B Section
3 Scale: 1 1/2" = 1'

202112 Morris Console Vanity

12/30/21

The Plan

- Check materials manager for all oak materials and add as necessary
- Check materials schedule for oak materials
- Create door for end panels
- Create job, room and add a base cabinet
- Modify base cabinet - section cabinet, toe kick removed, add parts
- Save cabinet to library



Craftsman Woodworks
Engineering Services

Fair Oaks, CA 95628

202112 Morris Console Vanity

12/30/21